



How to build a nest box

Many familiar garden birds like House Sparrows and Starlings are in decline — even our Blue Tits, Great Tits and Robins are struggling. Also, a shortage of nesting sites is part of the problem. By putting up a nest box, you're giving birds a safe space to raise their young. Even a wall-mounted box can make a big difference, and it's a wonderful way to get closer to nature. We've created a nest box kit for you to make at home.

What You'll Need:

- 1 plank of FSC-certified wood, 15–18mm thick (not pressure treated)
- Pencil, tape measure, saw
- Galvanised nails or screws
- Drill: 10mm drill bit for drainage holes in base; 25-32mm hole saw or jig saw depending on the birds you want to attract - see hole sizes overleaf
- Waterproof hinge strip (rubber, roofing felt, inner tube)
- Screws & Rawlplugs (for walls) / Galvanised wire (for trees)
- Ladder
- *(Optional) Water-based wood preservative (safe for birds)*

How to Make It

- Cut your wood using the template overleaf.
- Drill 5x 10mm drainage holes in base.
- Assemble sides, front, back, and base with screws/nails.
- Attach the roof using screws and a waterproof hinge strip to allow access for cleaning. If painting, use only outside-safe products. Keep the entrance unpainted and dry the box fully before use.
- Note: If you're using our pre-cut kit, see our website or overleaf for instructions



@folimpsfieldcommon



@friendsoflimpsfieldcommon



www.friendsoflimpsfieldcommon.org



National
Trust

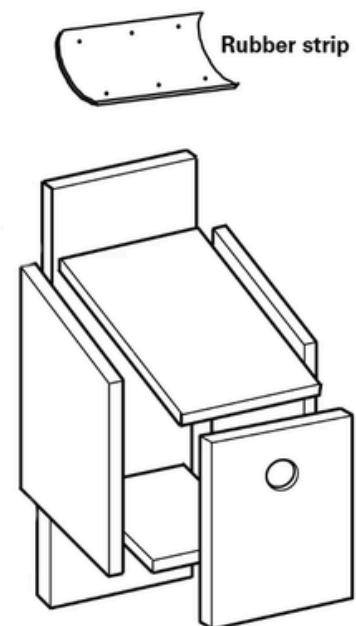
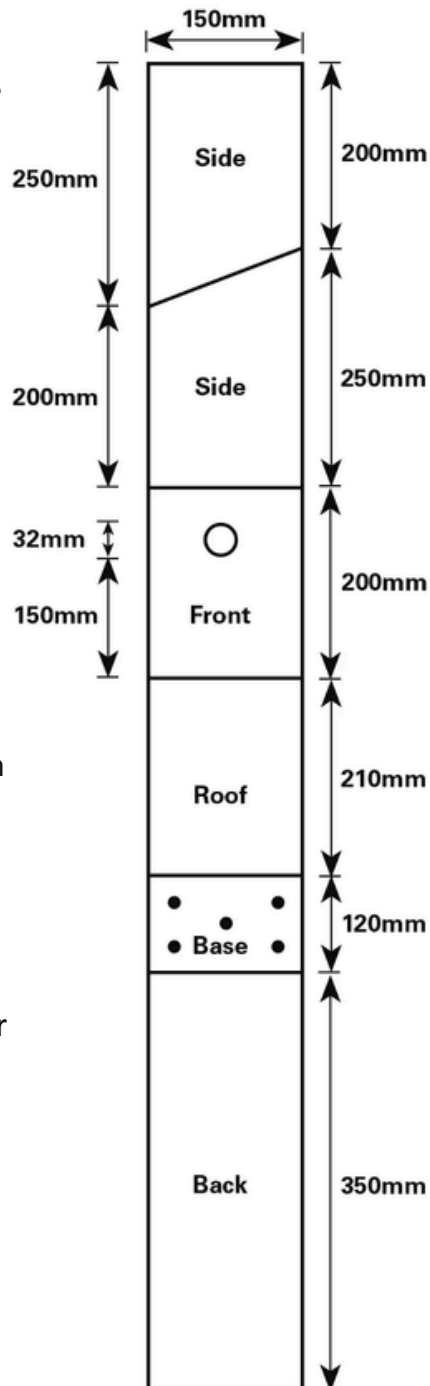
Instructions



Hole sizes for specific species

- Blue/Coal/Marsh Tits - 25mm
- Great Tits, Tree Sparrows - 28mm
- House Sparrows - 32mm
- Starlings - 45mm
- Robins, Wrens (open front) - No hole (cut off top half of front panel)

NB. Our kits use a 28mm hole - perfect for Great Tits and Tree Sparrows.



Where to Put It

- Height: 2-5 metres off the ground
- Avoid: busy paths, direct sun, and driving rain
- Direction: North-East facing is best
- Clear flight path in front of entrance
- Tilt forward slightly to help shed rain
- Use screws for walls, or wire for trees (check annually)

Cleaning & Maintenance

- Clean out old nests from September onwards
- Wear gloves; remove debris and rinse with boiling water only
- Don't use pesticides or flea sprays
- Add clean hay or wood shavings for winter roosting
- Unhatched eggs may only be removed legally between Sept-Jan (or Aug-Jan in Scotland)



Use QR code for more info and full instructions on our website:
www.friendsoflimpsfieldcommon.org